

50W LED Floodlight Pre-Wired with Wifi+RF Receiver

ENER-J[®]
Smart Home Living

LED Floodlight Pre Wired with (WS1057) Wi-Fi +RF 500W Receiver in 1 box allowing you to switch on/off this LED Floodlight with ENER-J's Eco Range Wireless Kinetic Switch (not included) as well as APP Control Remotely via ENER-JSMART App or Voice Control with Amazon Alexa or Google Home



SKU EWS1069



DESCRIPTION

The new ENER-J Ultra Slim LED Floodlight comes with an integrated ENER-J controller that can be paired with the ENER-J wireless switches. A floodlight can be controlled by a maximum of 10 separate switches, and a switch can pair with up to 10 Receivers. Also, Smart control via your app remotely or voice control with Amazon Alexa and Google Home.

Features:

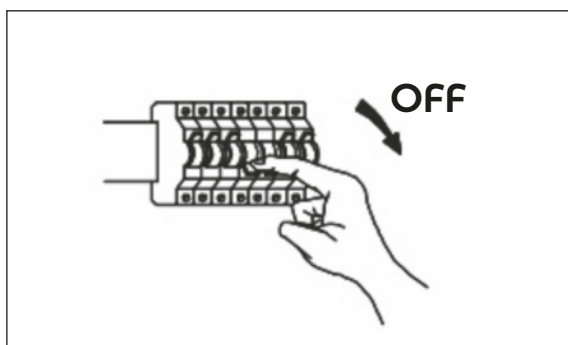
- ▶ This ultra slim, newly designed flood light range is the latest in our outdoor LED range of lighting pre wired with a 500W ECO range RF+WiFi receiver
- ▶ Our Eco Range receiver allows floodlight to be switched without extra wiring using a Eco Range Kinetic Switch (not included)
- ▶ A floodlight can be controlled by a maximum of 10 separate switches, and a switch can pair with up to 10 Receivers
- ▶ Switch on/off your LED Floodlight remotely via Free to Download and use ENERJSMART app or Voice Control with Amazon Alexa or Google Assistant
- ▶ Pre wired with 60cm cable, installation is both quick and easy
- ▶ Applications include gardens, bushes/shrubs, security lighting, porch lighting, area floodlighting, factories, offices. The possibilities are endless.
- ▶ Shatter-resistant tempered glass. Die-cast aluminum casing. Includes adjustable bracket. Comes pre-wired with 60cm length of rubberized cable.

Technical Specifications:

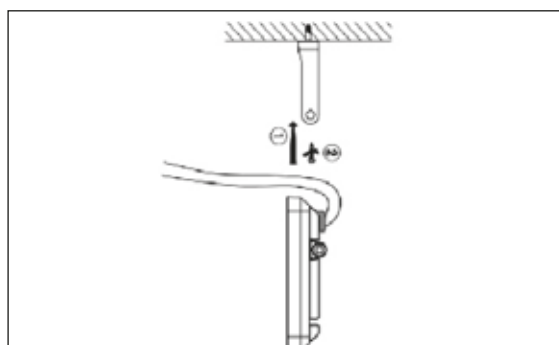
Dimensions	190×151×27mm
Power	50W
Voltage	220–240V AC
CCT	6500k
Lumens	4000Lm
Weight	2.3Kgs
Beam Angle	110°
Warranty	2 Years
Control Method Pairing with a ENER-J Wireless switch.	

INSTALLATION INSTRUCTIONS:

① Shut off Power

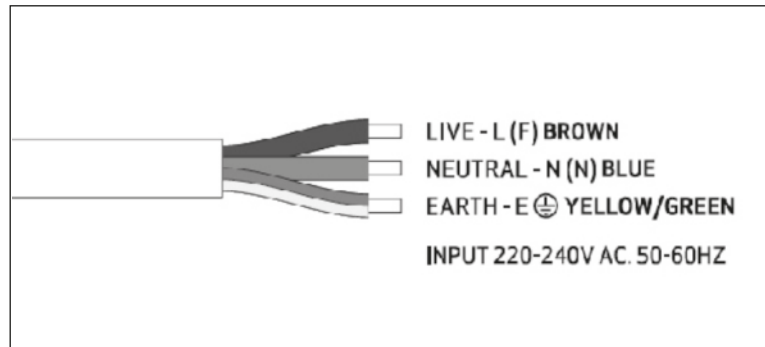


② Mount the bracket on the wall

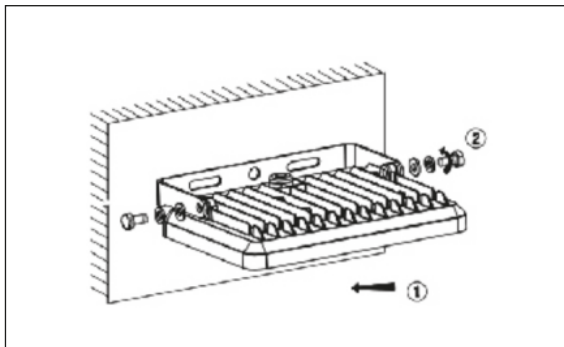


- ③ Terminate loose ends of wire to an appropriate IP Rated junction box or similar, ensuring Live, Earth and Neutral polarities are observed.

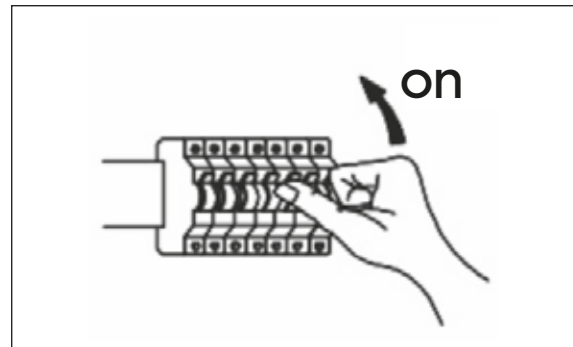
Live - Brown/Red
Neutral - Blue/Black
Earth - Yellow/Green



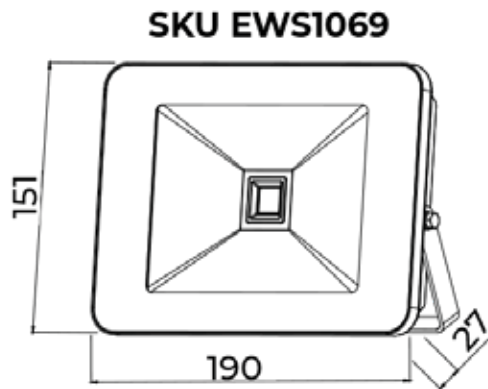
- ④ Connect the fitting to its bracket.



- ⑤ Turn On Power and test the luminaire



Dimension



Please read these instructions before commencing installation & retain them for future reference.

Important information

It is recommended that floodlights are installed by a qualified electrician ensuring the installation complies to current IEE wiring regulations & local building control.

- ▶ These products are designed for connection to a 220-240V mains supply.
- ▶ We will not accept responsibility for any claims arising from a poor installation.

Stuck? Confused?

Contact our Technical Support team on:

T: +44 (0)2921 252 473 E: support@ener-j.co.uk

Lines are open Mon - Fri (8am to 4pm)